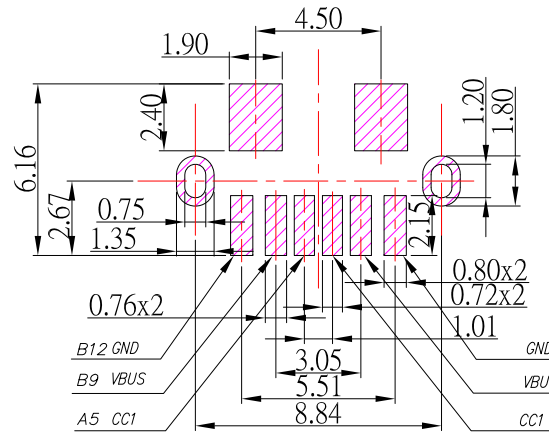


A5	CC1	B12	GND
A9	VBUS	B9	VBUS
A12	GND	B5	CC2
PIN	SIGNAL NAME	PIN	SIGNAL NAME



P.C.B LAYOUT MOUNTING PATTERN

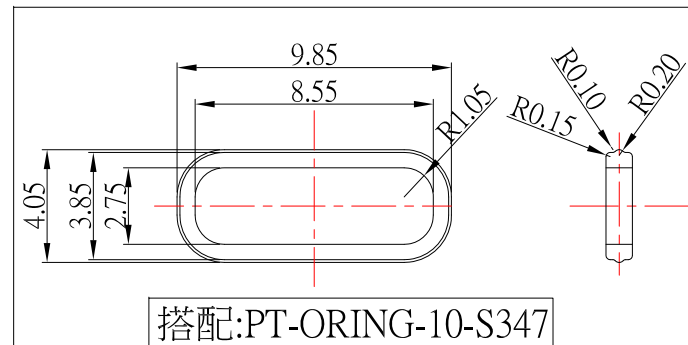
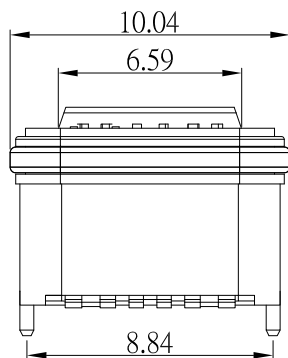
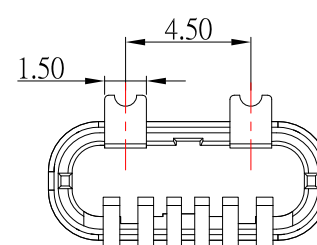
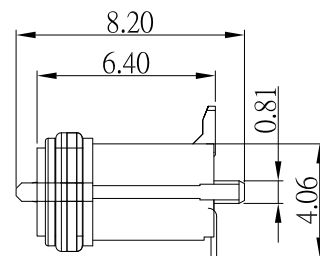
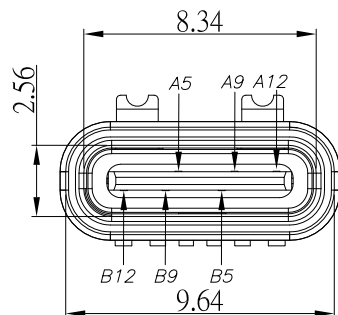
IPX7



SBC-WP060VS-20x-S347

鍍層厚度:

Blank : 1u"
2 : 15u"
3 : 30u"



搭配:PT-ORING-10-S347

**SPECIFICATIONS**

**Electrical:**

1. Rating: 3.0A
2. Contact Resistance: 40 mΩ Max
3. Insulation Resistance: 100 MΩ Min
4. Dielectric Withstanding Voltage: 100V AC

**Mechanical:**

1. Connector Mate and Unmate Force
  - 1.1 Mate force: 5~20 N
  - 1.2 Unmate force: 8~20 N

**Material:**

1. Housing: LCP
2. Contact: Phosphor Bronze
3. Shell: Zinc Alloy

**Finish:**

1. Contact: Plated Gold in Mating Area ;  
Tin Plated on Solder Balls ;  
Nickel under plated overall
2. Shell: Nickel under Plated surface layer

3	更新料號	Jack	060821
2	更新PIN定義	Jack	031320
1	新增防水圈尺寸圖	Jack	121919
ITEM NO.	DESCRIPTION	DRAWN	DATE

**CONTACT** 建倚科技股份有限公司  
**CONTACT TECHNOLOGY CORP.**

TOLERANCE UNLESS OTHERWISE STATED:	Up to 5 ±0.2	3RD. ANGEL'S	UNITS	MM
	Above 5 ~ 15 ±0.3			
	Above 15 ~ 30 ±0.4			
	Above 30 ~ 50 ±0.5			
	Angle ±0.3°			

DRAWN BY:	DATE	MAT'L	TITLE	CONNECTOR
Jack Lu	06/08/21			
CHECKED BY:	DATE	FINISH	MODLE	USB C TYPE 2.0 Female 防水型
Jacky Chen	06/08/21			
APPROVED BY:	DATE	SCALE	DWG NO.	SBC-WP060VS-20x-S347
Tony Kao	06/08/21	1 : 1		
		SHEET NO.	PART NO.	SBC-WP060VS-20x-S347
		1 of 1		
			SIZE	A4
			VER	R3